



Facial Recognition Terminal Kit A Compact & Touch-Free Single-Door Access Control Solution



Proactive Facial Recognition



New Height of Anti-Spoofing



Speedy Recognition



Wide Pose Angle Acceptance
+/- 30°



Touchless for Better Hygiene



LM-2805 Single Door Magnetic Lock Load Up To 280KG Embedded With Signal Feedback

Product Description

- Maximum pulling force withstands 200Kg to 280Kg.
- With signal feedback function.
- Support surface mount and mount with U, L, Z, and ZL mounting brackets available.
- Compatible with iron door, wooden door and glass door.

Parameters

Input voltage	DC12V
Working current	480mA±5%
Holding force range	200kg ±5%
Lock body size (L*W*D)	250*47*25.5(mm)
Iron plate size	180*38*11(mm)
Interface Description	Red: + Black: - Yellow: NO Green: COM White: NC



EFace 10 Time & Attendance and Access Control Terminal with Visible Light Facial Recognition

Product Description

- Visible Light facial recognition.
- Anti-spoofing algorithm against print attack (laser, color and B/W photos), videos attack and 3D mask attack.
- Multiple verification methods: Face / Password / Card (optional).
- Card modules (optional): 125KHz ID Card (EM) / 13.56MHz IC Card.
- Backup rechargeable battery (optional): offers at least 2 hours of power on a full charge, and it takes 4 hours to recharge.
- Support standard wall-mounting with Backplate or optional wall-mounting with Cable Box, and optional desktop installation with Cable Box.

Parameters

Display	4.3-inch Touch Screen
Operation System	Linux
Face Capacity	500
User Capacity	1000
Card Capacity	1000
Operating Humidity	20% to 80%
Operating Temperature	0°C to 45°C
Dimensions (W*H*D)	130 * 119 * 28 (mm)

Battery and triangle mounting plate are optional.



TLEB102 Exit Button

Product Description

TLEB102 Exit Button has an exquisite appearance and economical application. Access control or electronic access control system uses this exit button.

Parameters

Switching voltage	DC 9 ~ 16V
Rated current	2A
Operating temperature	-20°C ~ +50°C
storage temperature	-20°C ~ +65°C
Working humidity	10%-90%
shell material	SUS304 stainless steel material
Infrared sensing distance	2-10cm
Dimensions (L*W*H)	115*70*38 (mm)

Wiring definition

Wiring color	Description
Red	12V
Black	GND
Yellow	N0
White	COM
Green	NC



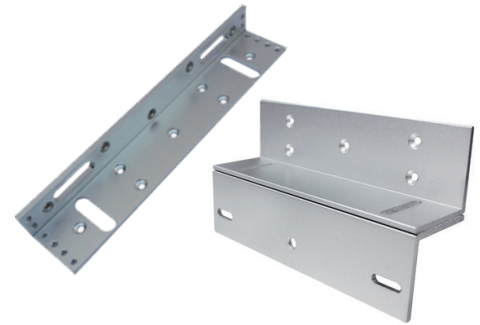
Lock Bracket

Product Description

The two lock brackets, which are L-shaped and Z-shaped for lock installation, are compatible with iron and wooden doors.

Parameters

Finished for Shell	Anodized Aluminum
Opening Mode	90 degree door
L shaped Bracket Size	50*50*30 mm
Z shaped Bracket Size	180*50*50 mm

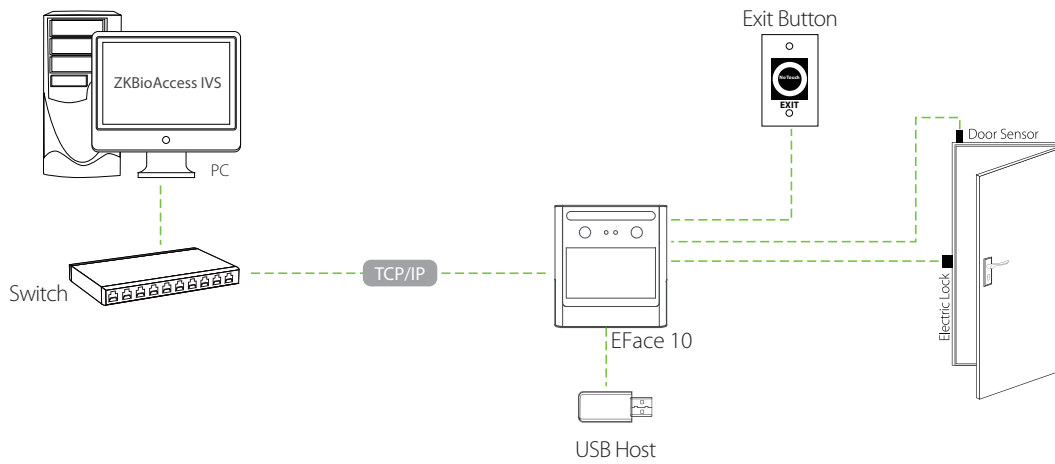


Packing List

Product	Quantity
Eface10	X1
Exit switch	X1
Electromagnetic lock	X1
Bracket	X2

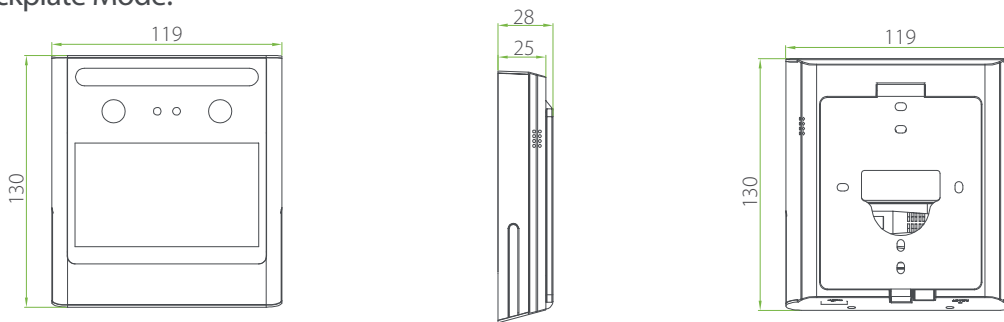


Configuration



Dimensions (mm)

Backplate Mode:



Cable Box Mode:

