

SpeedFace-V4LM1

Linux-Based Hybrid-Biometric Access Control & Time Attendance Terminal with Visible Light Facial Recognition & Palm Recognition



Proactive Facial Recognition



New Height of Anti-Spoofing



Speedy Recognition



Wide Pose Angle Acceptance



Touchless for Better Hygiene



Wide Palm Pose Angle Acceptance

Compatible with ZKBio Access IVS

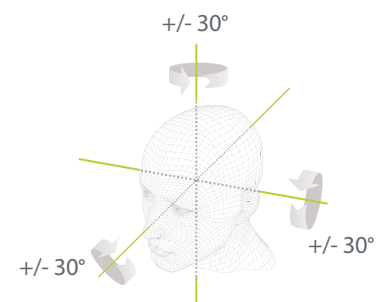


Features

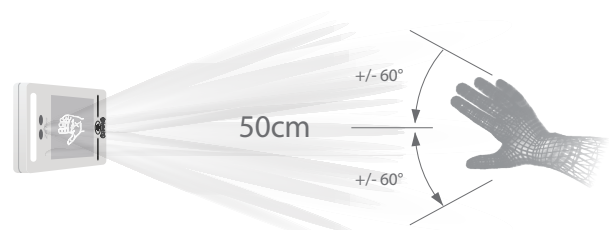
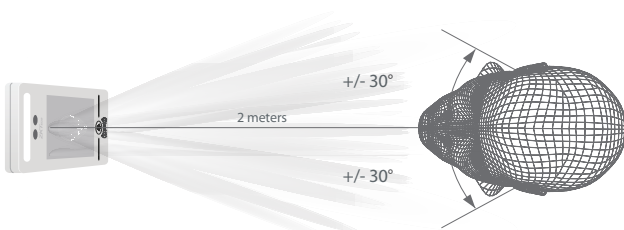
- Visible Light Facial Recognition
- Anti-spoofing algorithm against print attack (laser, color and B/W photos), videos attack and 3D mask attack
- Multiple verification methods: Face / Palm / Card / Password / QR code
- Available card modules: 125kHz ID card (EM) / 13.56MHz IC card (MF) / 13.56MHz Felica card/125kHz HID card
- Supplement light with adjustable brightness
- 800 face templates capacity, 800 palm templates capacity

2 meters of recognition distance and extra wide angle recognition

The recognition distance has been greatly extended to 2 meters, which significantly improves the maximum traffic rate. While most of the algorithms only support +/-15° of detectable face angle, SpeedFace-V4LM1 doubles the detection angle in terms of head rotation and tilt to +/- 30°.



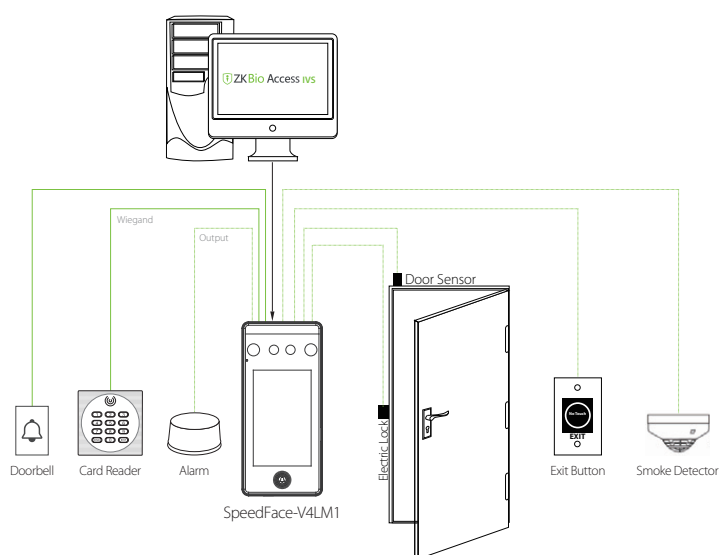
Touchless palm authentication method with a novel hand tracking technique allowing angle tolerance as wide as +/-60° in the roll axis and a recognition distance of 50cm.



Specifications

Display	4" touch screen
Display Resolution	800X480
Face Capacity	800
Palm Capacity	800
Card Capacity	1,000
Transactions	150,000
Operation System	Linux
Standard Functions	ID Card, ADMS, T9 Input, DST, Camera, 9-digit User ID, Access Levels, Groups, Holidays, Anti-passback, Record Query, Tamper Switch Alarm, Multiple Verification Methods, Palm Recognition, Wired doorbell, RS485 card reader
Hardware	900MHz Dual Core CPU; 512MB RAM / 512MB Flash; 2MP Binocular Camera; Adjustable LED Supplement Lighting
Communication	TCP / IP, USB Host, WiFi, Wiegand Input / Output, RS485
Access Control Interface	3rd-party Electric Lock, Door Sensor, Exit Button, Alarm Output, Auxiliary Input
Optional Function	13.56MHz IC Card (MF), 13.56MHz Felica card, 125kHz HID card, WiFi, QR Code, Support mask recognition, SRB, Video intercom (Mutually exclusive with doorbell function)
Facial Recongntion Speed	≤1s
Biometrics Algorithms	ZKFace V5.8 & ZKPalm V12.0
Power Supply	12V 3A
Working Humidity	10%-90%
Working Temperature	0°C ~ 45°C (32°F ~ 113°F)
Dimensions (W*H*D)	72.94 * 157.94 * 23 (mm)
Shell Material	Aluminum alloy
Net Weight	360g
Gross Weight	950g
Supported Software	ZKBioAccess IVS

Configuration



Dimensions(mm)

